

MID R100

water meters



altecnic

MID R100 water meters



Design

The Altecnic 126 range of water meters for cold water applications offers a dependable and accurate reading of water consumption and is ideally suited for use in domestic premises and small commercial buildings.

Suitable for use with potable and clean water.

An internal filter prevents the entry of solid particles and other debris into the meter.

Precision volumetric chamber for accurate flow measurement.

The concept of its magnetic coupling substantially reduces the number of wetted mechanical components increasing reliability.

The dial can be rotated through 360° for easy reading in any position.

The 1" size 126 -3003 has a protective hinged cover to protect the clear window when installed in concealed and dusty locations.

Product Code	Size	Description
PS-100001	½"	MID R100 class D horizontal water meter
PS-100002	¾"	MID R100 class D horizontal water meter
PS-100004	1"	MID R100 class D horizontal water meter
PS-P00001	½"	MID R100 horizontal cold water meter pulse emitter c/w cable
PS-P00002	¾"	MID R100 horizontal cold water meter pulse emitter c/w cable
PS-P00003	1"	MID R100 horizontal cold water meter pulse emitter c/w cable
126-3201		1m pulsed cable

Technical Specification

Volumetric water meter:

Single jet: ½" & ¾" sizes

Multi jet: 1" size

Dry dial:

Direct reading on 8 numerical rollers: ½" & ¾" sizes

Direct reading on 5 numerical rollers: 1" size

360° rotating dial:

Temperature class T30

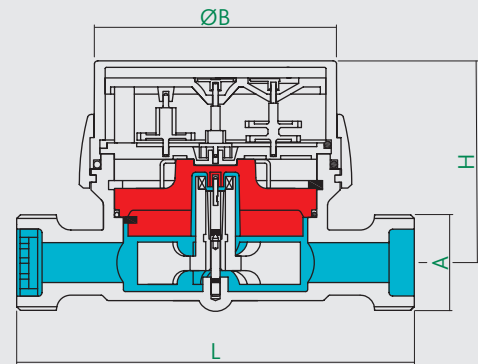
Temperature range: 0 to 30°C

Dial range: 0 to 10,000 m³

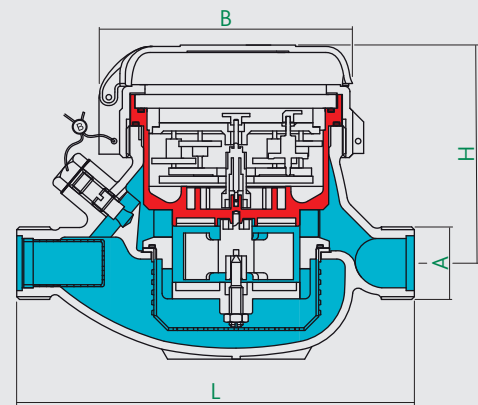
MID approved according to European Directive 2004/22/CE (module D)

In compliance with: BS EN 14154
OIML R49/200

Dimensions



A	B	H	L	kg
G¾B	85	73	80	0.45
G1B	85	73	110	0.50

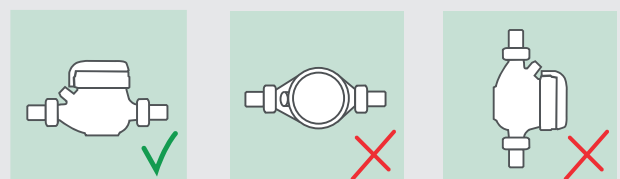


A	B	H	L	kg
G1¼B	100	117	260	1.45

Technical Specification

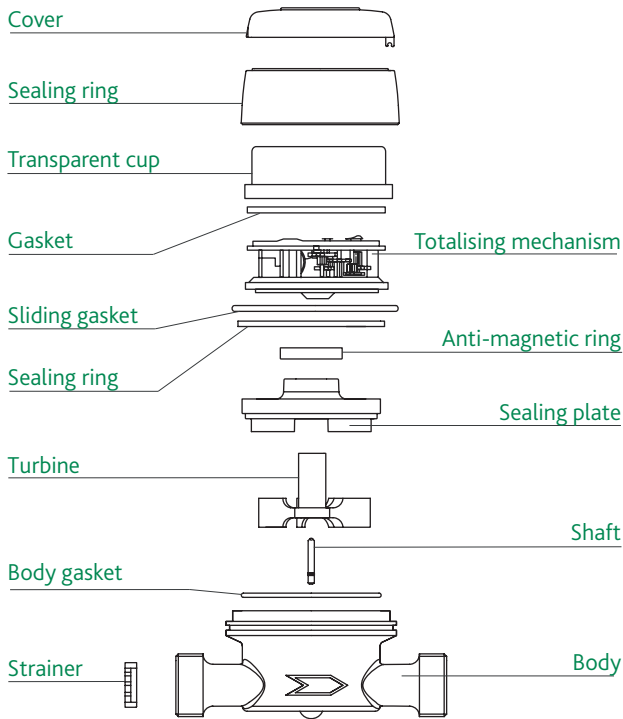
Nominal Size		½"	¾"	1"	
Q4	Max flow rate for short period	m ³ /h	3.12	5	7.875
Q3	Nom. continuous flow rate	m ³ /h	2.5	4	6.3
Q2	Transitional flow rate	l/h	40	64	100.8
Q1	Minimum flow rate	l/h	25	40	63
	Minimum reading	l	0.05	0.05	0.05
	Maximum reading	m ³	99,999	99,999	99,999
MAP	Max. working pressure	bar	16	16	16
	Sensitivity	l/h			10

Installation Position



MID R100 water meters

Components - 1/2" & 3/4" sizes

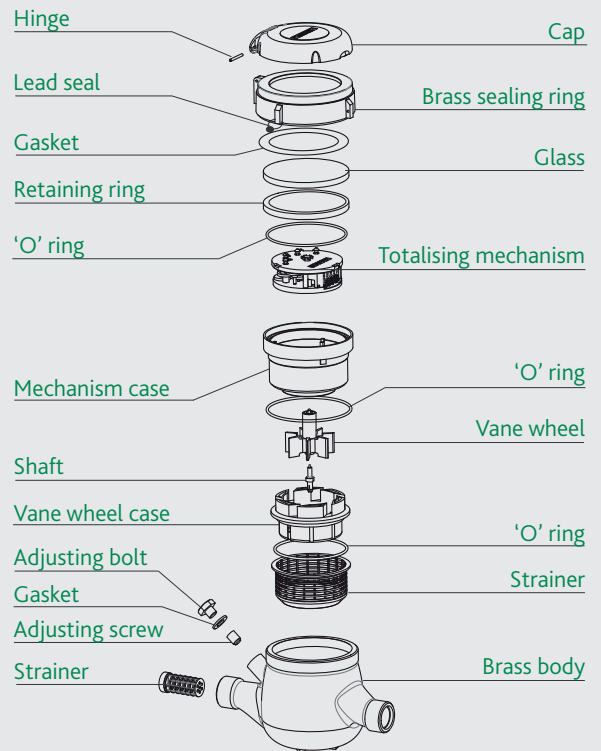


Options Available - 1/2" & 3/4" sizes

- Anti-condensation dial
- Anti-magnetic protection against fraud
- Cap



Components - 1" size



Options Available - 1/2" & 3/4" sizes

- Anti-magnetic protection against fraud



E & O.E

Altecnic Ltd Mustang Drive, Stafford, Staffordshire ST16 1GW

T: +44 (0)1785 218200 E: sales@altecnic.co.uk

Registered in England No: 2095101

altecnic.co.uk

AL 237 25-11-15

altecnic